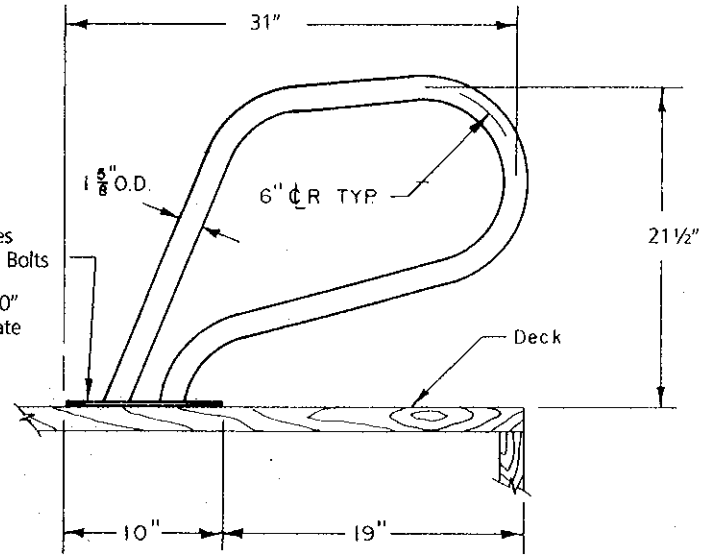
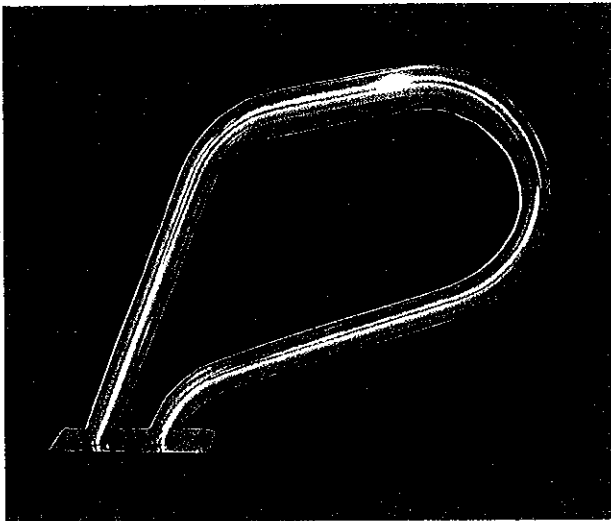




SR-100 SPA-RAIL



STANDARD FEATURES

Spa-Rails are made of 1 5/8" O.D. x .049" wall, 304 stainless steel tube with mirror finish. They come supplied with 4" x 10" stainless steel plate drilled for 3/8" bolts.

Bolts are not included.

RESIDENTIAL SPA RAIL

The 31" Residential Spa Rail is provided complete except for mounting bolts which must be selected according to site requirements and therefore cannot be provided.

NOTE: Also offered in Marine Grade (add "-MG" to Model No.). Available in Designer Colors.

PR-500 POOL RAIL W/FLANGE

STANDARD FEATURES

The S.R. Smith 54" Residential Pool Rail (PR-500) is made of, 1.90" O.D., 304 stainless steel with a wall thickness of .049" (1.25mm). The legs of the rail are surface welded to a polished, 304 stainless steel plate which serves as the rail mounting plate. The mounting plate has been drilled to accept 3/8" bolts (not included). No escutcheons are needed. The PR-500 Residential Pool Rail has the same dimensions as the DMS-103A.

