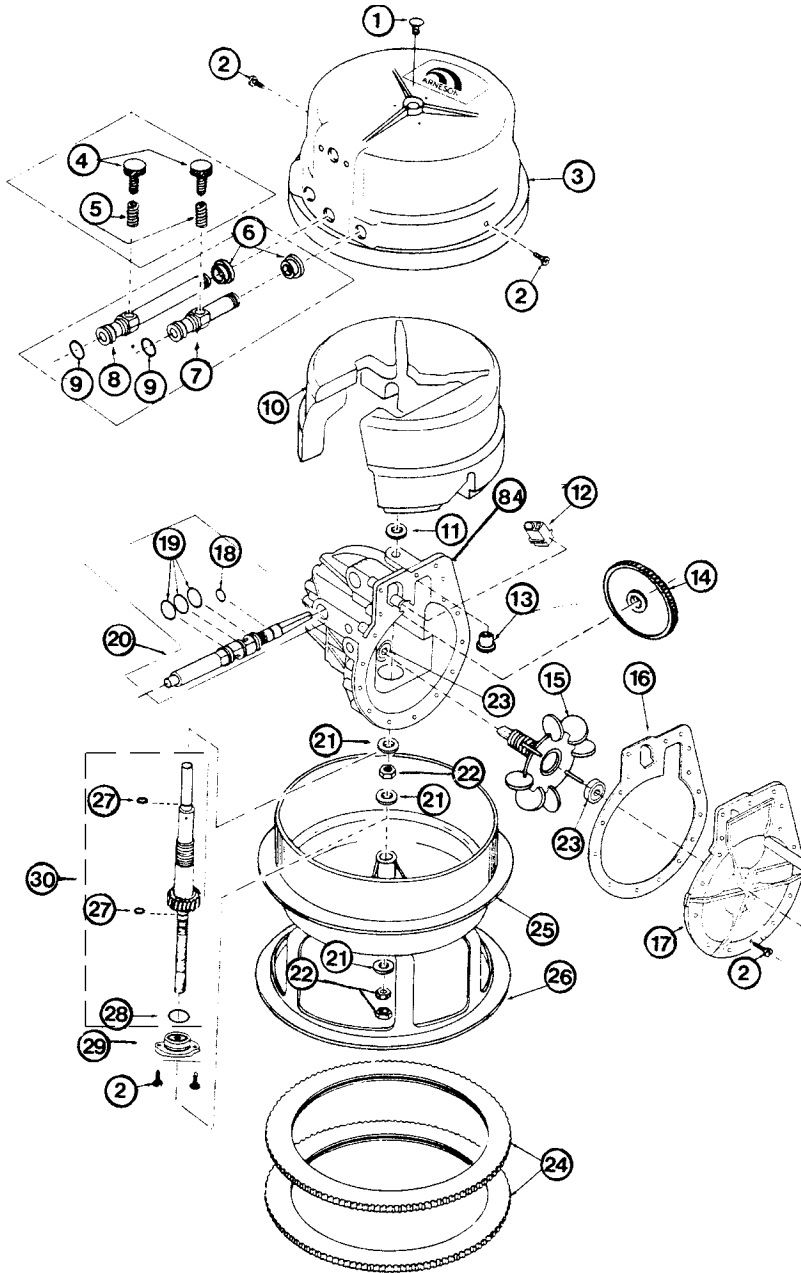
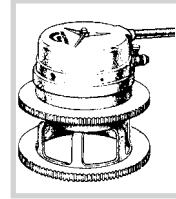
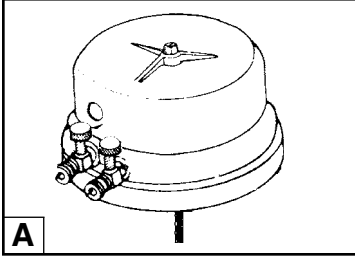


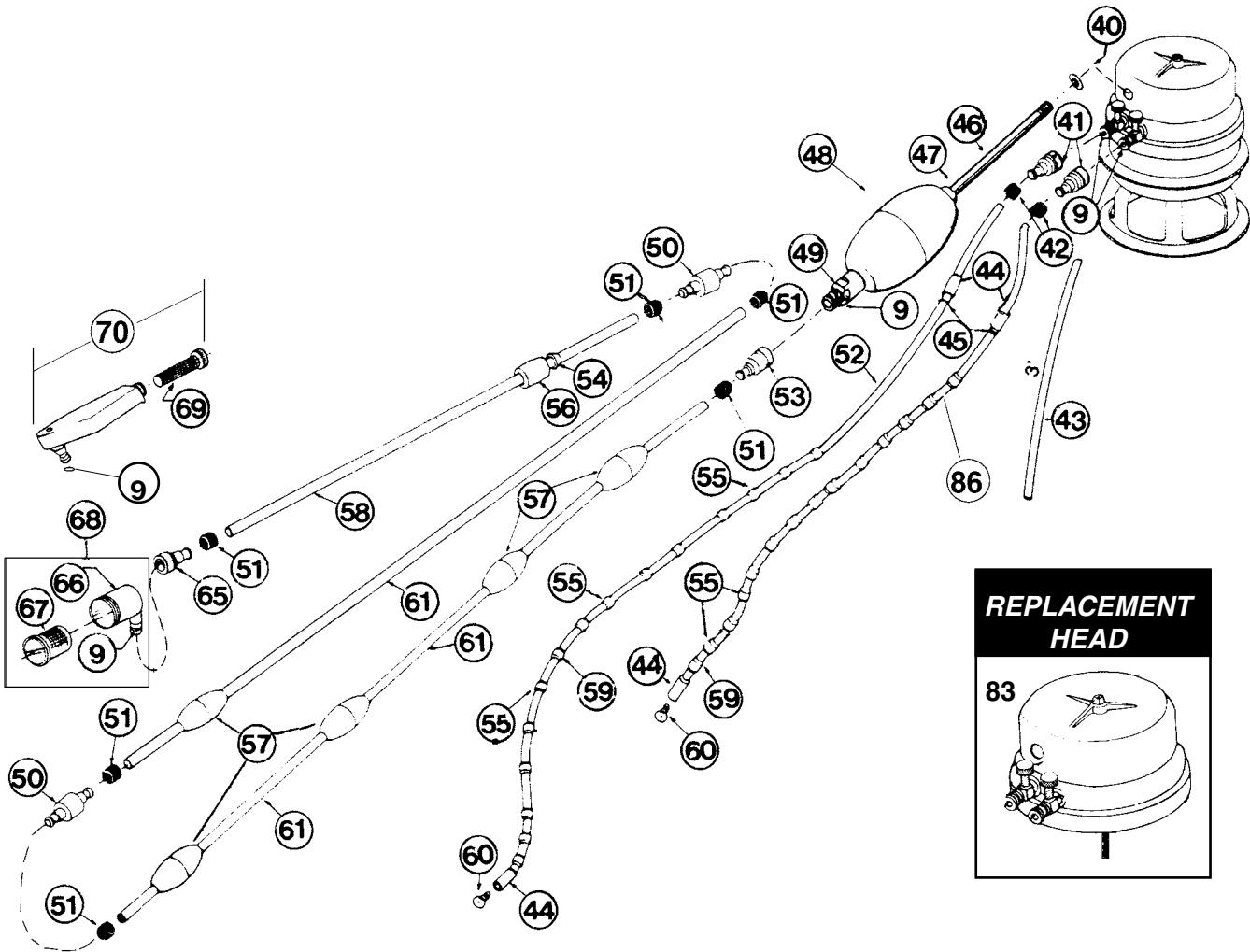
REPLACEMENT HEAD



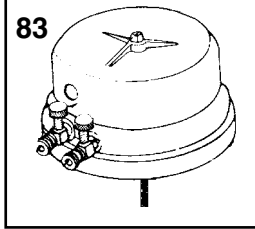
KEY	ITEM #	DESCRIPTION	MFG. #
A	REPLACE	NLA HEAD REP W/3250-L79	G79
A	3250-L79	LETRO REPLACEMENT HEAD (EXACT REPLACEMENT FOR POOL SWEEP G79)	L79BL
*	3250-E079	REPLACEMENT HEAD, TURBOSWEEP I	E079
1	3250-G39	RINSER, TILE	G39P
2	3250-G10P	SCREW, GEAR HOUSING	G10P
3	REPLACE	NLA SHELL REP W/ 3250-L79	G01C
4	3250-G15	SCREW, THUMB S.S.	G15
5	3250-G16	SPRING, COMPRESSION	G16A
6	3250-G18	GROMMET, HOSE CONNECTOR	G18/G17
7	3250-G13	CONNECTOR, WALL HOSE	G13
8	3250-G14	CONNECTOR, FLOOR HOSE	G14
9	3250-F07	O-RING	F07P
10	3250-G55	FLOAT, HEAD	G55
11	3250-G47	WASHER, SPINNER	G47
12	3250-G11	NOZZLE (SOLD ONLY W/3250-G65B)	G11
13	3250-G31	BEARING, UPPER	G31P
14	3250-G36B	GEAR, VALVE, ORANGE	G36B
15	OBSOLETE	OBSOLETE TURBINE	G33B
16	3250-G29B	GASKET, FOR GEAR HOUSING	G29B
17	3250-G28B	COVER, GEAR HOUSING	G28B
18	3250-F24	O-RING	F24
19	3260-D024	O-RING, (EACH)	J04
20	3250-G21C	VALVE, DRIVE JET	G21C
21	3250-G08	WASHER, HOUSING	G08P
22	6932-0	NUT	A12B
23	OBSOLETE	OBSOLETE BEARING	E036
24	3250-G09	TIRE, HOUSING	G09AWH
25	OBSOLETE	OBSOLETE SHELL	G02A
26	3250-G63	EXTENSION, BOTTOM SHELL	G63BP
27	3250-G12	O-RING	G12
28	3250-G32	O-RING	G32
29	3250-G30B	BEARING, LOWER	G30B
30	REPLACE	NLA AXLE, GEAR REP W/3250-0020	G26B
84	3250-G65B	MOTOR, INTERNAL	G65B
*	3250-0020	GEAR KIT - LETRO, INCLUDES LETRO BLUE GEAR AXLE & VALVE GEAR (WILL RETRO FIT POOL SWEEP I)	

* NOT SHOWN

SPECIAL NOTE : ARENESON/HAYWARD HAS DISCONTINUED THIS ITEM. PENTAIR IS THE CURRENT SUPPLIER FOR POOL SWEEP PARTS.



REPLACEMENT HEAD



KEY	ITEM #	DESCRIPTION	MFG. #
	9	O-RING	F07P
	40	GROMMET, FLOAT ARM	F12
	41	COUPLING, QUICK DISCONNECT	J27P
	42	NUT, MENDER 7/16"	H03P
	43	HOSE, EXTENSION, FLOOR 3'	H06
	44	3250-H09C SLEEVE, HOSE JET	H09C
	45	3250-H10 RING, STOP FOR HOSE WEIGHT	H10P
	46	3250-F22 ARM, FLOAT, STRAIGHT	F22P
	47	3250-D15 RETAINER, FLOAT	D15P
	48	3342-0 FLOAT, WHITE 5"X 9"	F01P
	49	OBSOLETE OBSOLETE CONNECTOR	S031
	50	REPLACE NLA CONNECTOR REP W/ 3250-0009	D05
	51	3250-D02P NUT, MENDER (SET OF TWO)	D02P
	52	3250-H05F HOSE, FLOOR SWEEP 13'	H05F
	53	REPLACE NLA SWIVEL REP W/ 3250-0009	D41
	54	3250-D30 RETAINER, WEIGHT	D30P
	55	3250-H07 SLEEVE, HOSE W/O INSERT	H07P
	56	3250-D27 WEIGHT FOR FEED HOSE	D27

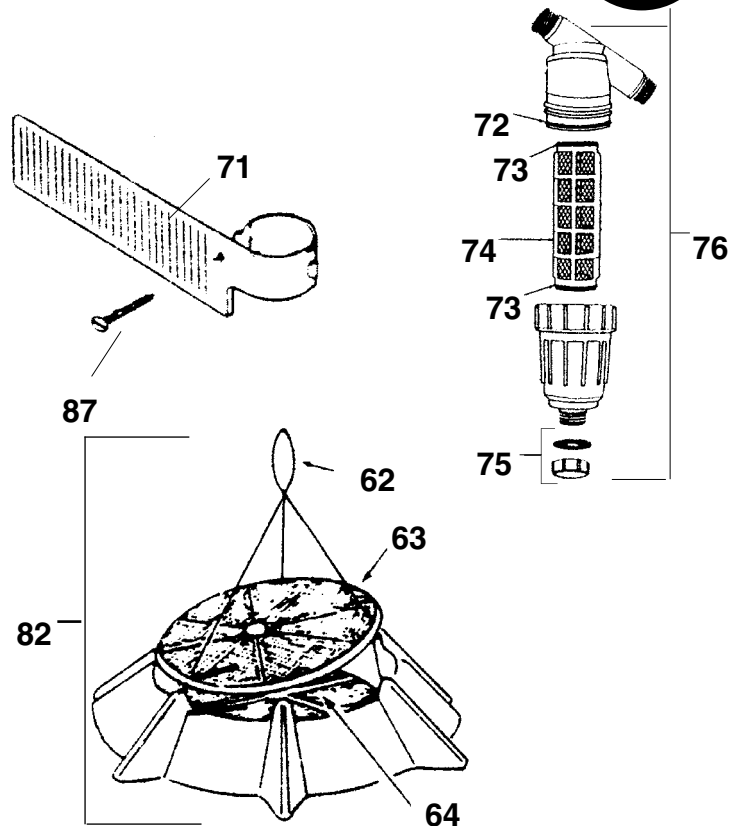
KEY	ITEM #	DESCRIPTION	MFG. #
	57	3250-S038 FLOAT, HOSE (EA.)	S038P
	58	3250-D03A HOSE, FEEDER 6'	D03A
	59	3250-H12 SLEEVE, HOSE W/ METAL INSERT	H12P
	60	3250-H08N JET, HOSE	H08N
	61	3250-D03C HOSE, FEEDER 16ft	D03C
	65	REPLACE NLA QK DISCONNECT REP W/ 3280-59	J28P
	66	REPLACE NLA FITTING REP W/3250-W10	W05
	67	3250-E078 STRAINER - CURRENT STYLE	E078
	68	REPLACE NLA FITTING, WALL REP W/ 3280-86	W10P
	69	3250-D09 SCREEN, DECK & OLD WALL FTG.	D09P
	70	OBSOLETE OBSOLETE DECKSTAND	AXD28
	83	REPLACE NLA HEAD REP W/ 3250-L79	G79
	86	3250-H05W HOSE, WALL SWEEP 10'	H05W
	86	3250-0005 HOSE, WALL SWEEP W/WEAR RINGS	LH05WR

SPECIAL NOTE : ARENESON/HAYWARD HAS DISCONTINUED THIS ITEM. PENTAIR IS THE CURRENT SUPPLIER FOR POOL SWEEP PARTS.

NOTE - THE COMPLETE HOSE BOX IS NO LONGER AVAILABLE

KEY	ITEM #	DESCRIPTION	MFG. #
	71	OBSOLETE GUARD, LADDER	J02P
	72	3250-K965 O-RING, BODY	K965
	73	3250-K966 O-RING, ELEMENT	K966
	74	OBSOLETE ELEMENT	K964P
	75	OBSOLETE CAP	K963
	76	OBSOLETE STRAINER	K96P
	87	OBSOLETE SCREW, LADDER GAURD	J08
	*	OBSOLETE GUARD, HAND RAIL 5 FT.	K73C

*NOT SHOWN

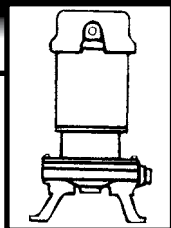


62	3250-L02	HARNES, LEAF BASKET	L02P
63	OBSOLETE	OBSOLETE COVER	L25
64	3250-L09	SCREEN, LEAF BASKET (LTD. QTY.)	L09AB
82	REPLACE	NLA BASKET REP W/ 3250-L01	*L01A

SPECIAL NOTE : ARNESON/HAYWARD HAS DISCONTINUED THIS ITEM. PENTAIR IS THE CURRENT SUPPLIER FOR POOL SWEEP PARTS.

ARNESON POOL SWEEP I & II

BOOSTER PUMP

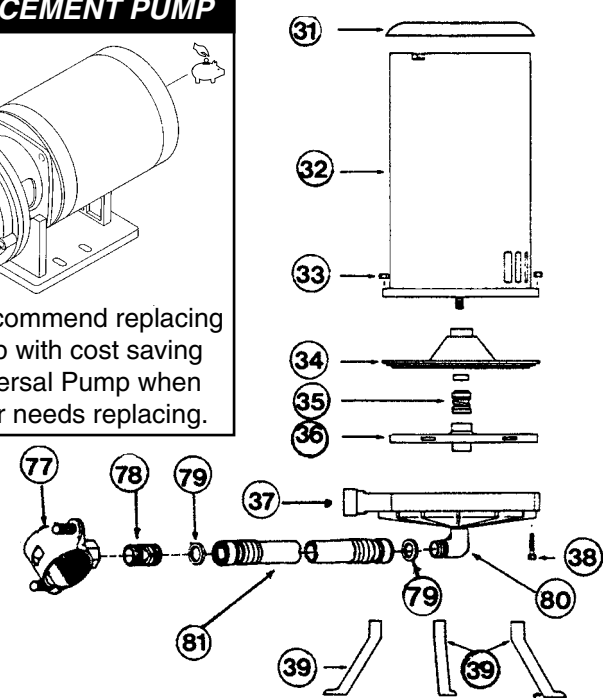


KEY	ITEM #	DESCRIPTION	MFG. #
A	3285-55	UNIVERSAL BOOSTER PUMP, COMPLETE	
31	3250-A62	CANOPY, MOTOR	A62S
32	3250-A58X**	MOTOR, (VERTICAL)	A58
32	3250-A59X**	MOTOR, (HORIZONTAL)	
33	3250-A12P	NUT (SET OF 2)	A12P
34	3250-A40	GASKET, END BELL	A40
35	REPLACE	NLA SEAL ASSY REP W/ 5250-104	A08B
36	3250-A02L	IMPELLER	A02L
37	OBSOLETE	OBSOLETE VOLUTE, POOL SWEEP PUMP	A39
38	3250-A11	SCREW, CAP 3/8-16x1 7/8	A11
39	3250-A57A	LEG, SUPPORT(EACH)	A57
77	3250-K17	TEE, SADDLE 1" X 3/4" BRASS	*K17
77	3250-K18	TEE, SADDLE 1 1/4" X 3/4" BRASS	*K18
77	3250-K31	TEE, SADDLE 1 1/2" X 3/4" BRASS	*K31
77	3250-K32	TEE, SADDLE 2" X 3/4" BRASS	*K32
77	OBSOLETE	OBSOLETE TEE, SADDLE PLASTIC 2" X 3/4"	N/A
78	3250-B03	ADAPTER, HOSE 3/4" MHT X 3/4" MPT	B03B
79	3250-D10	WASHER, HOSE 3/4"	D10P
80	3250-B17	MALE ELBOW 3/4" MPT X 3/4" MHT	B17B
81	3250-B05	HOSE, SUCTION 3/4" X 2'	B05

UNIVERSAL REPLACEMENT PUMP

A

We recommend replacing pump with cost saving Universal Pump when motor needs replacing.



** SEE UNIVERSAL PUMP IN THE INSET BOX

SPECIAL NOTE : ARNESON/HAYWARD HAS DISCONTINUED THIS ITEM. PENTAIR IS THE CURRENT SUPPLIER FOR POOL SWEEP PARTS.