

ADD-ONS / REPAIR

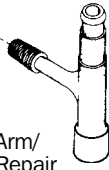
50

Quick Disconnect for Mast



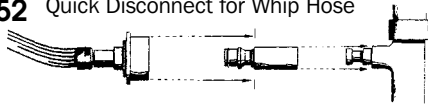
51

Float Arm/
Mast Repair
Kit



52

Quick Disconnect for Whip Hose



Sweep Tail
Repair Kit

54

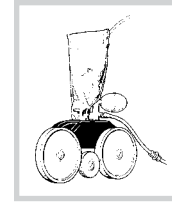


5

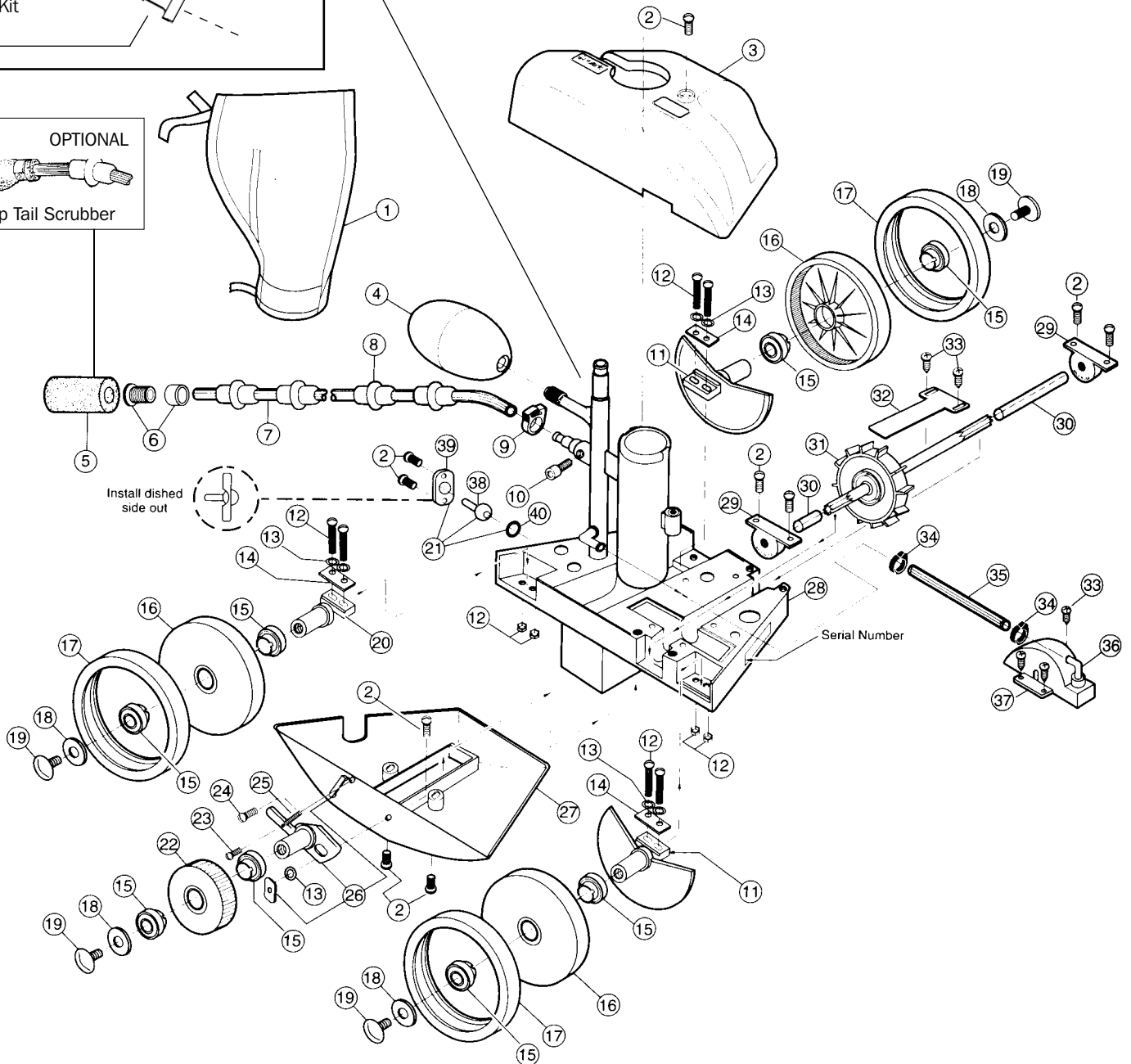
OPTIONAL



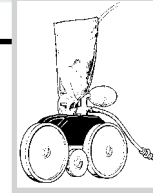
Sweep Tail Scrubber



PARTS LISTING 



HEAD LISTINGS



KEY	ITEM #	DESCRIPTION	MFG. #
1	3260-A015	BAG, LEAF	A15
1	3260-A016	BAG, SAND & SILT	A16
1	3260-G045	BAGS,SAND SILT-DISPOSABLE PKG4	G45
2	3260-C040	SCREW, BODY	C40
3	3260-A005	TOP-BLUE	A5
4	3260-A020	FLOAT, HEAD	A20
5	3260-10	SCRUBBER, SWEEP TAIL	9-100-3105
6	3260-B025	ORIFICE TIP WITH GUARD	B25
7	3260-B005	HOSE, SWEEP- COMPLETE	B5
8	3260-B010	RING, WEAR	B10
9	3260-B015	CLAMP, SWEEP HOSE	B15
10	3260-B020	SCREW, ADJUSTMENT	B20
11	3260-C066	AXLE,LRG W/WASHERS &SAND GUARD	C66
12	3260-C075	BOLT & NUT - EACH	C75
13	3260-C045	WASHER, LOCK TOOTH	C45
14	3260-C070	AXLE PLATE	C70
15	3260-C060	BEARING, WHEEL - EACH	C60
16	3260-C006	WHEEL, LARGE	C6
17	3260-C010	TIRE, WHITE	C10
17	3260-C012	TIRE, KRAYTON (VINYL/FIBERGLASS)	C12
17	3260-C013	TIRE, POSITRAX (TILE/FIBERGLASS)	C13
18	3260-C064	WASHER, WHEEL PLASTIC	C64
19	3260-C055	SCREW, WHEEL	C55
20	3260-C065	AXLE, LARGE REAR WHEEL ONLY	C65
21	3260-C131	THRUST JET REPAIR KIT	C131
22	3260-C016	WHEEL, SMALL	C16
23	3260-C030	SCREW, AXLE	C30
24	3260-C032	SCREW, SPRING TO BODY	C32

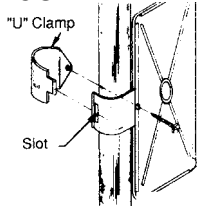
KEY	ITEM #	DESCRIPTION	MFG. #
25	3260-C025	SPRING	C25
26	3260-C036	AXLE, SWING KIT	C36
27	3260-A010	BOTTOM, WHITE	A10
28	EXCHANGE	FRAME CONTACT MFG	C145
29	3260-C080	BEARING, TURBINE - EACH	C80
30	3260-C083	TURBINE SHAFT TUBES	C83
31	3260-C086	DRIVE SHAFT, TURBINE	C86
32	3260-A040	SHEILD, TURBINE SHAFT	A40
33	3260-A030	SCREW, SELF TAPPING	A30
34	6658-0	CLAMP, STAINLESS STEEL	-
34	3263-88	HOSE CLAMP	9-100-7170
35	3260-C120	HOSE, FOR C-110	C120
36	3260-C115	ELBOW, FOR TURBINE COVER	C115
37	3260-C110	COVER, TURBINE WITH ELBOW	C110
38	3260-C130	JET, THRUST (LTD QTY)	C130
39	3260-C135	PLATE, JET (LTD QTY)	C135
40	3260-C140	O-RING	C140
50	OBSOLETE	OBSOLETE DISCONNECT	LA46
51	3260-A045	FLOAT ARM REPAIR KIT	A-45
52	OBSOLETE	OBSOLETE DISCONNECT	LA47
54	3260-A042	REPAIR KIT, SWEEP TAIL CONNECTION	A42
*	3260-B002	WEIGHT, SWEEPHOSE	B2

* NOT SHOWN

POLARIS 180/280 - KITS

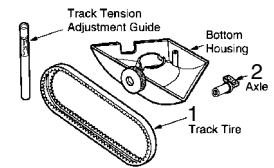
LADDER/RAIL, TUNE UP and REBUILD KITS

A LADDER/RAIL GUARD KIT



KEY	ITEM #	DESCRIPTION	MFG. #
A	3260-G021	LADDER GUARD, SET OF 2	G21
B	3260-A047	KIT, REBUILD POLARIS 180	A47
C	3260-A049	KIT, TUNE-UP POLARIS 180/280	A49
D	3260-A048	KIT, REBUILD POLARIS 280	A48
E	3260-0009	KIT, TRACK TIRE CONVERSION 180/280	C15
1	3260-0010	TRACK TIRE ONLY	C18
2	3260-C065	AXLE ONLY	C65

E 180/280 TRACK TIRE CONVERSION KIT



B 180 FACTORY REBUILD KIT

Qty	Mfg#	Description	Qty	Mfg#	Description
1	A5	Top, White	1	C36	Swing Axle Kit
1	A10	Bottom, White	4	C55	Wheel Screw Plastic
1	A16	Sand/Silt Bag	8	C60	Ball Bearings, Wheels
1	A20	Float, Head	1	C63	Axle, Shim
1	B5	Sweep Hose Comp.	1	C65	Axle, Large (Rear Wheel)
1	B15	Sweep Hose Clamp	2	C66	Axle, Large w/Sand Guard
3	C6	Wheel, Large	2	C80	Ball Bearings, Turbine
3	C10	Tire, White	1	C86	Drive Shaft, Assembled
1	C16	Wheel, Small White			

C 180/280 TUNE UP KIT

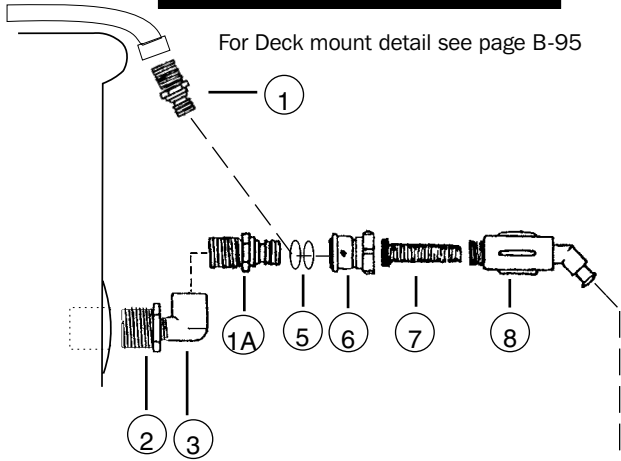
Qty	Mfg#	Description
3	C6	Wheel, Large
3	C10	Tire, White
1	C16	Wheel, Small White
1	C36	Swing Axle Kit
4	C55	Wheel Screw, Plastic
8	C60	Ball Bearings, Wheels
1	C63	Axle, Shim
1	C65	Axle, Large (Rear Wheel)
2	C66	Axle, Large w/ Sand Guard
2	C80	Ball Bearings, Turbine
1	C86	Drive Shaft, Assembled

D 280 REBUILD KIT

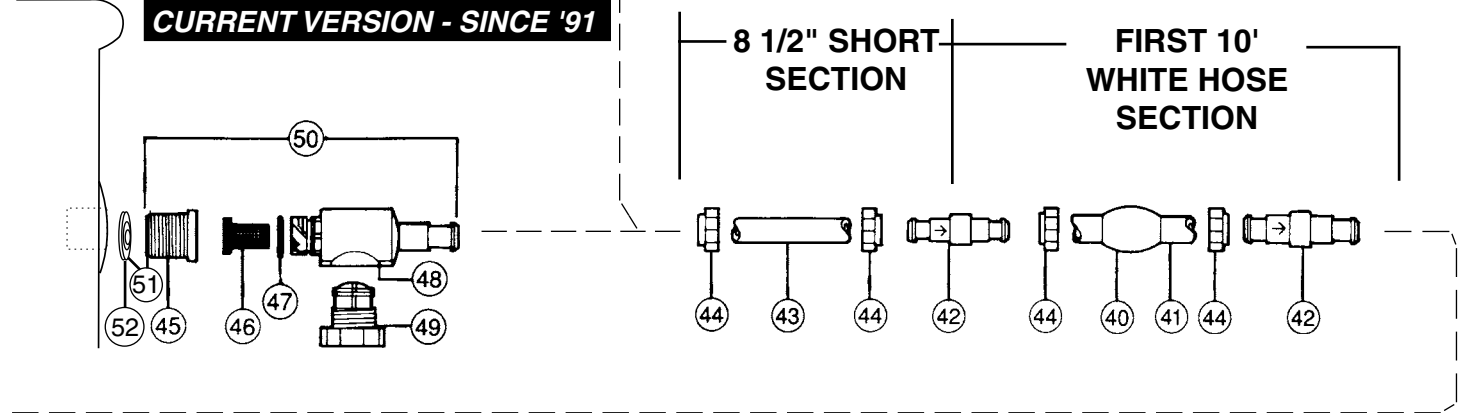
Qty	Mfg#	Description
1	K16	All Purpose Bag
1	K5	Top
1	A20	Float, Head
1	B5	Sweep Hose, Complete
1	B15	Sweep Hose Attach Clamp, White
2	C66	Axle, Large (w/ Sand/Gravel Guard)
8	C60	Ball Bearings, Wheels
4	C55	Wheel Screw, Plastic
4	C64	Wheel Washer, Plastic
3	C10	Tire, Max Trax
3	C6	Wheel Large (No Bearings Incl.)
1	C65	Axle, Large (Rear Wheel Only)
1	C131	Thrust Jet Kit
1	C16	Idler Wheel, Small
1	C36	Swing Axle Kit
1	K10	Base with Bracket
2	C80	Ball Bearings, Turbine
1	C83	Turbine Shaft Tubes
1	C86	Drive Shaft Assembly

HOSE ASSEMBLY - For all Years

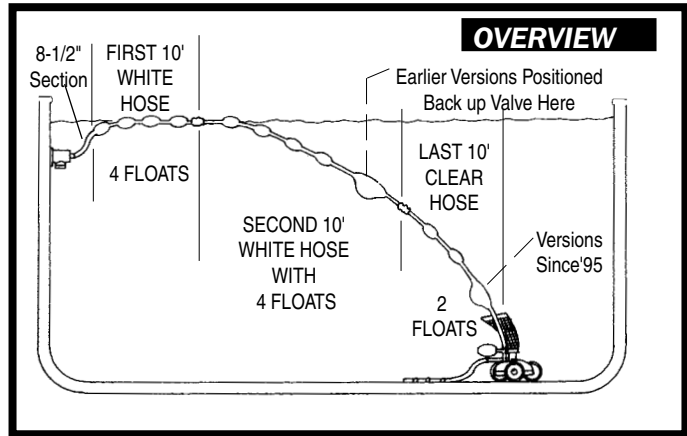
VERSION '91 AND PRIOR



CURRENT VERSION - SINCE '91



OVERVIEW



SECOND 10' WHITE HOSE SECTION

CURRENT BACK UP VALVE '97

BACK UP VALVE '91-'96

This Back Up Valve is Sometimes Placed in Last Hose Section, 30" from Polaris Head

ORIGINAL STYLE BACK UP VALVE

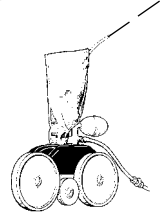
WITH NO BACK UP VALVE

LAST 10' CLEAR HOSE

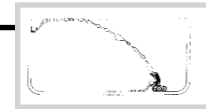
Placed 30" from Polaris Head



SEE PAGE B-86 FOR BACK UP VALVE PARTS



HOSE ASSEMBLY LISTING



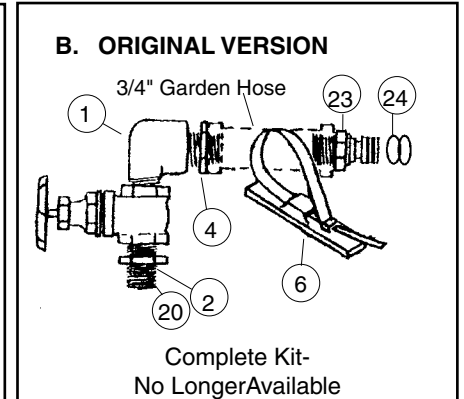
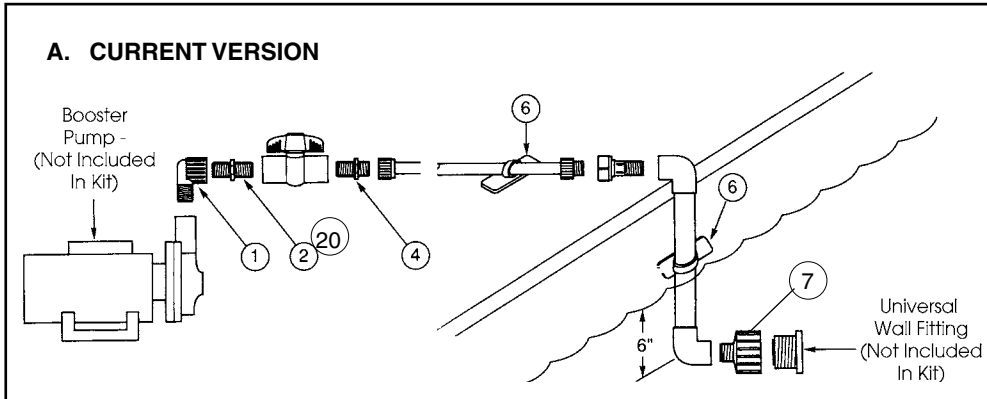
KEY ITEM #	DESCRIPTION	MFG. #	
1	3260-D022	ADAPTER,QUICK DISCONNECT - MHT	D22
1A	3260-D023	ADAPTER,QUICK DISCONNECT - MPT	D23
2	7185-0	BUSHING, 1 1/2x3/4"MPTxFPT	-
3	7051-0	ELBOW, ST 90 3/4" MPTxFPT	-
4	3260-G052	BACK-UP VALVE- CURRENT SINCE '97	G52
4A	REPLACE	NLA VALVE REP W/ 3260-G052	G41
4B	REPLACE	NLA VALVE REP W/ 3260-G052	G40
5	3260-D024	O-RING (EACH)	D24
6	3260-D026	DISCONNECT, QUICK FEMALE	D26
7	3260-D036	STRAINER, TUBE TYPE	D36
8	3260-D031	HOUSING, STRAINER HOSE BARB	D31
39	3260-0011	LEADER HOSE, 10' - NO FLOATS	D50
39	3260-0015	HOSE, LEADER 10' - WITH FLOATS	9-100-3108
40	3260-D010	FLOAT, FEED HOSE	D10
41	3260-D045	HOSE, FEED 10' - NO FLOATS	D45
41	3260-11	HOSE, FEED 10' - WITH FLOATS	9-100-3104
42	3260-D020	SWIVEL, BALL BEARING	D20
43	3260-D001	HOSE, ADAPTER - 8 1/2 INCH	D1
44	3260-D015	NUT, FEED HOSE	D15
45	3260-01	FITTING, WALL - UNIVERSAL	6-500-00

KEY ITEM #	DESCRIPTION	MFG. #	
46	3260-03	SCREEN, FILTER UWF	6-504-00
47	3260-04	O-RING	6-505-00
48	3260-D029	DISCONNECT, QUICK UWF	D29
49	3263-82	PRESSURE RELIEF VALVE, BLACK	9-100-9002
49	REPLACE	NLA VALVE, RED REP W/ 3263-82	D28
50	3263-81	UWF CONNECTOR ASSEMBLY	9-100-9001
50	REPLACE	NLA CONNECTOR REP W/3263-81	D27
51	3260-22	RESTRICTOR KIT, UWF	10-108-00
52	3260-23	RESTRICTOR DISCS RED & BLUE	10-112-00
*	3262-0	COMPLETE HOSE WITHOUT BACK-UP VALVE	G5
*	3260-D032	91 VERSION WALL FITTING COLLAR	D32
*	3260-20A	UWF REMOVAL TOOL, PLASTIC	10-102-00
*	3260-02	ADJUSTABLE PLUG, UWF	11-203-00
*	3260-25	STREET ELBOW	9-100-9003

* NOT SHOWN

POLARIS 180 - Over the Deck Kits

ORIGINAL AND CURRENT VERSIONS

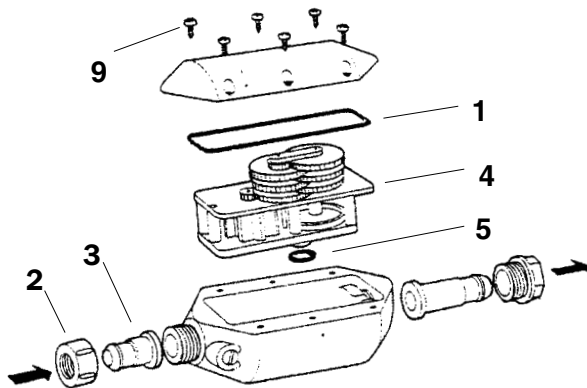


KEY	ITEM #	DESCRIPTION	MFG. #
A	3261-0	INSTALLATION KIT, OVER DECK	G12
B	NLA	COMPLETE KIT NO LONGER AVAILABLE	-
1	7051-0	ELBOW, ST 90° 3/4" MPTxFPT	-
2	3260-G017	NIPPLE, 3/4" MPT - PLASTIC	G17
3	3250-B02	GATE VALVE, BRASS 3/4"	B2
4	3260-G016	ADAPTER 3/4" MPT X 3/4" MHT - PLASTIC	G16
6	3260-G118	MOUNT, OVER THE DECK	G118
7	3260-G009	COUPLING 1 1/2" NPTF x 3/4" MPT	G9
20	3250-B18	NIPPLE, 3/4" MPT - BRASS	-
21	3250-B03	ADAPTER, HOSE 3/4"MHT X 3/4"MPT BRASS	-
23*	3260-D022	ADAPTER,QUICK DISCONNECT - MHT	D22
24	3260-D024	O-RING (EACH)	D24

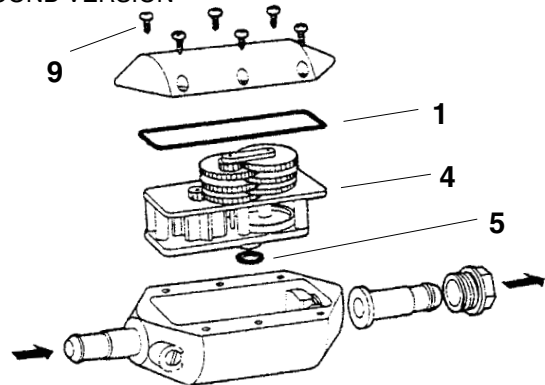
* THIS HAS MALE HOSE THREADS. THIS FITTING IS AVAILABLE WITH 3/4" MALE PIPE THREADS USING #3260-D023

FOR 180, 280, and 380 MODELS

ORIGINAL VERSION

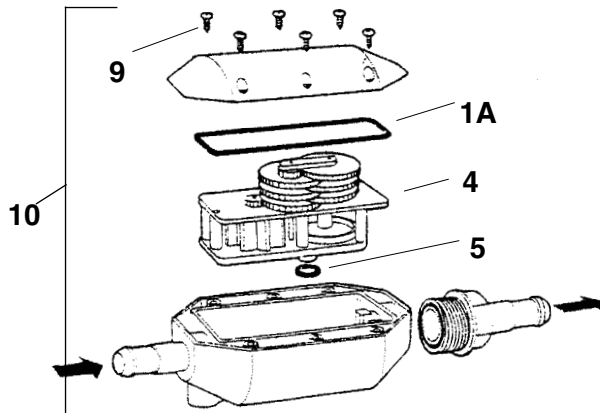


SECOND VERSION



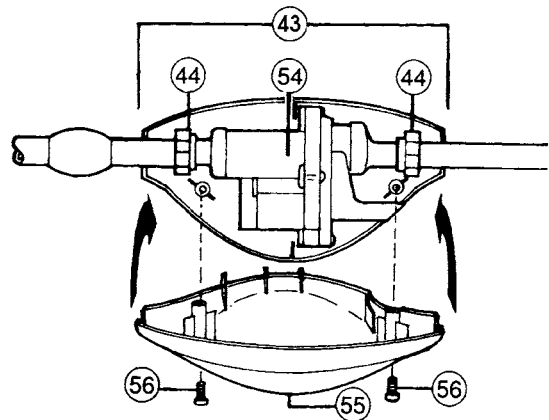
IF COVER OR BODY NEED REPLACING - REPLACE WITH COMPLETE CURRENT VERSION OPT# 3260-G052

VERSION TIL '91 - Still used as a current alternative

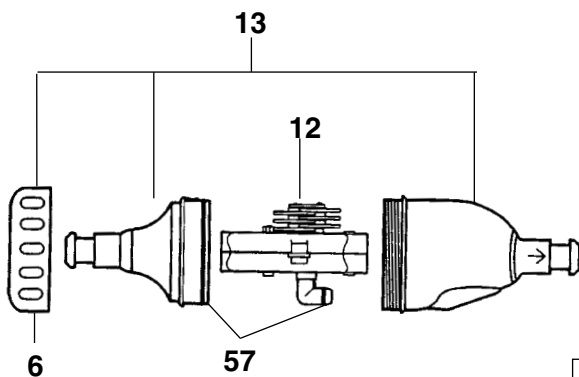


14

VERSION '91 - '96



CURRENT VERSION - SINCE '97



15

KEY	ITEM #	DESCRIPTION	MFG.
	6	3260-G057 COLLAR (RETAINING RING)	G57
	9	3270-1325 SCREW, 8 x 5/8"	E35
	10	REPLACE NLA CASE REP/W 3260-G052	E40
	12	3260-G053 MECHANISM, FOR G-52 B/U VALVE	G53
	13	3260-G054 CASING, FOR G-52 B/U VALVE	G54
	14	REPLACE NLA BACKUP VALVE REP W/ 3260-G052	G40
	15	3260-G052 BACKUP VALVE CURRENT - COMPLETE	G52
	43	REPLACE NLA VALVE REP W/3260-G052	G41
	44	3260-D015 NUT, FEED HOSE	D15
	54	3260-E060 MECHANISM ASSEMBLY	E60
	55	REPLACE NLA CASE REP/W 3260-G052	E65
	56	3263-52 SCREW (EACH)	9-100-5117
	57	3260-G058 O-RING KIT	G58
*	3260-G056	BOOSTER VALVE SEAT FOR G52 & G62	G56
*	3260-G059	DOUBLE ACTING BACK-UP VALVE	G59
*	3260-G060	DOUBLE ACTING BACK-UP VALVE, BLACK	G60
*	3260-0012	MECHANISM ONLY, DOUBLE ACTING BACK-UP VALVE FOR G59 & G60	G65

KEY	ITEM #	DESCRIPTION	MFG.
-----	--------	-------------	------

STANDARD WHITE VALVES

1	6652-05	O-RING	E30
1A	3270-2300	O-RING	E31
2	3260-E005	NUT, BACK-UP VALVE (LTD. QTY.)	E5
3	3260-E010	FITTING, INLET - BACK-UP VALVE	E10
4	OBSOLETE	OBSOLETE GEAR ASSY	E25
5	3262-08	O-RING	P40

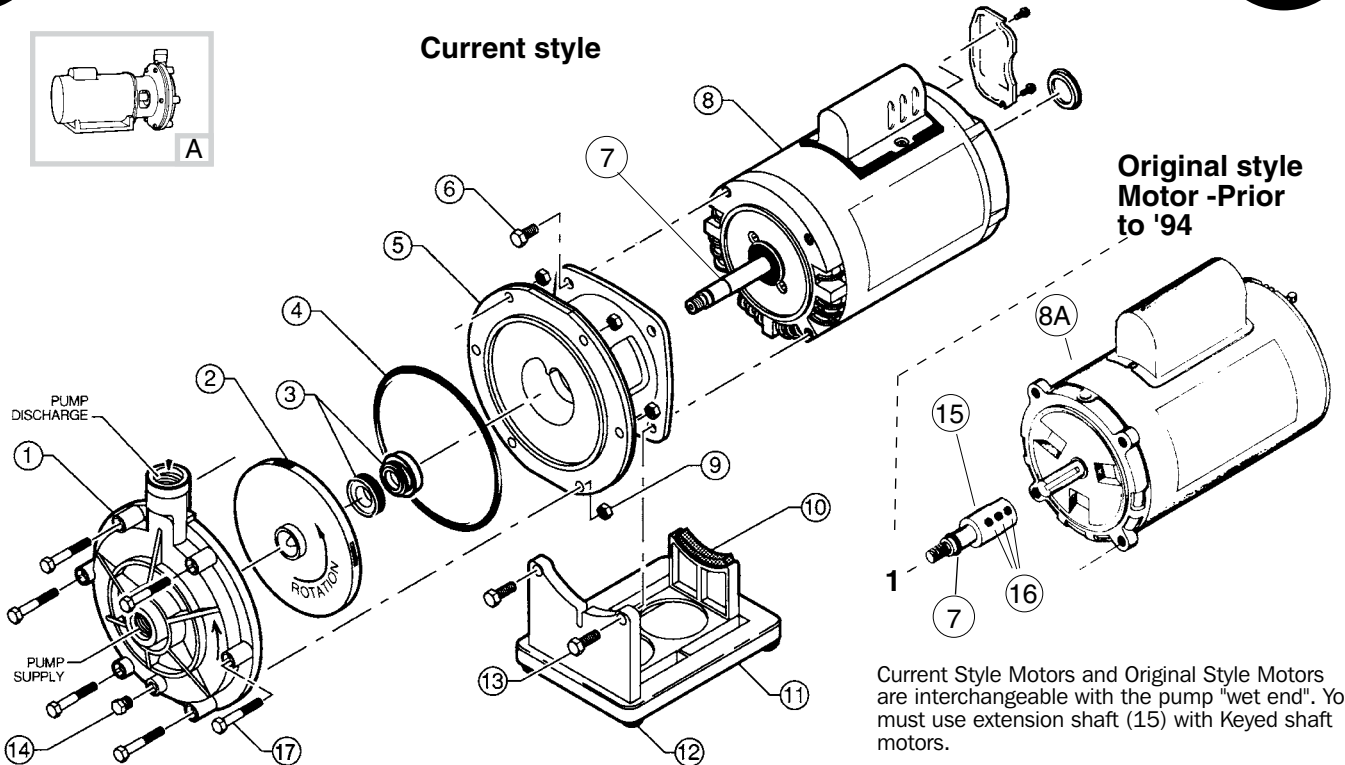
BLACKMAX VALVE

6	3260-G067	COLLAR (RETAINING RING), BLACK	G67
12	3260-G053	MECHANISM	G53
13	3260-G064	CASE, BLACK	G64
15	3260-G062	BACK-UP VALVE COMPLETE, BLACK	G62

* NOT SHOWN

POLARIS Booster Pump

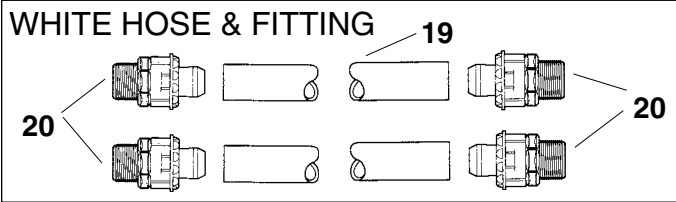
3/4 HP PUMP FOR 180, 280, and 380 MODELS



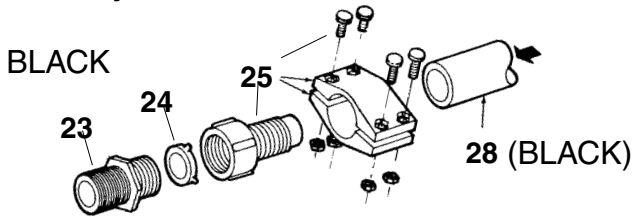
Current Style Motors and Original Style Motors are interchangeable with the pump "wet end". You must use extension shaft (15) with Keyed shaft motors.

PUMP SUCTION & DISCHARGE HOSE

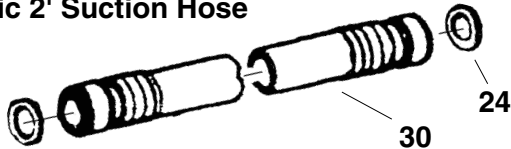
Current - Since '94 Softube Hose & Connections



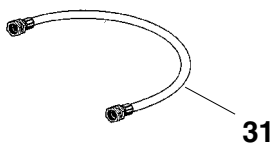
Older Style - Prior to '94



Generic 2' Suction Hose



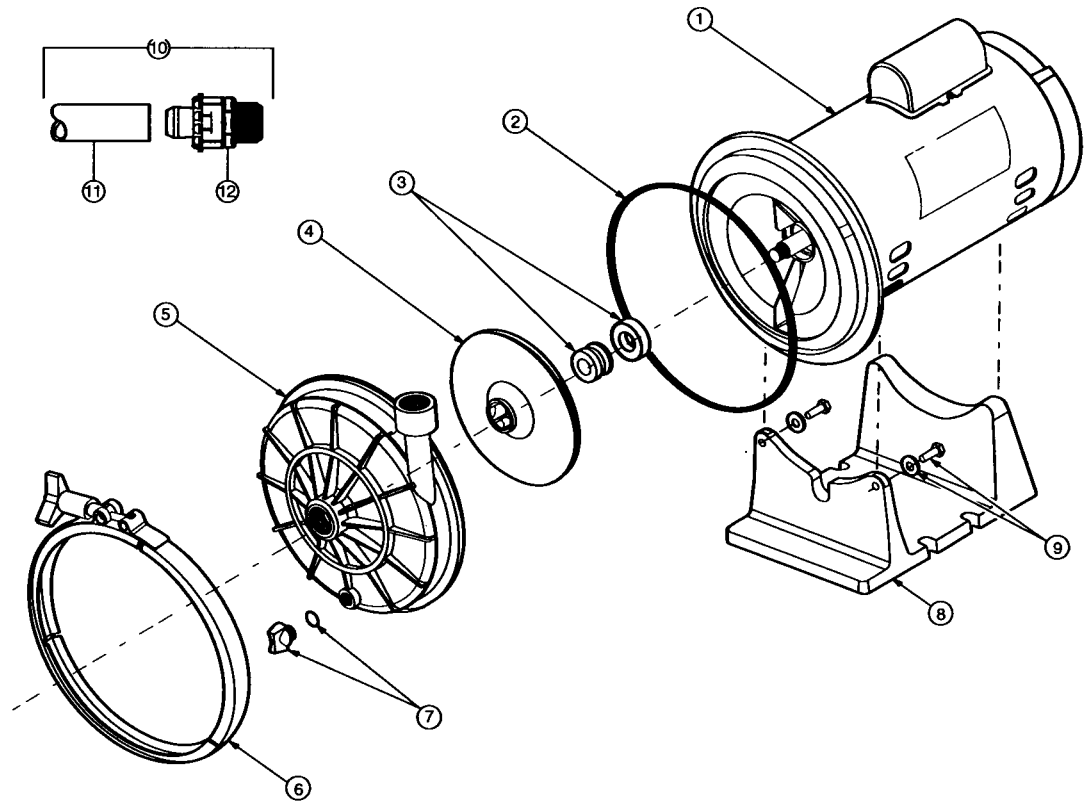
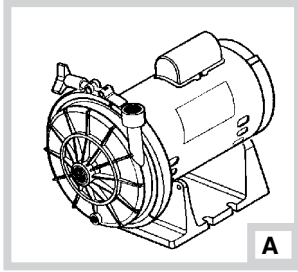
Heavy Duty Pressure Hose 3'



KEY	ITEM #	DESCRIPTION	MFG. #
A	OBSOLETE	OBSOLETE BOOSTER PUMP W/ ENERGY EFFICIENT MOTOR	PB4-60EE
A	3260-A001	BOOSTER PUMP	PB4-60
1	3262-01	VOLUTE	P5
2	3262-03	IMPELLER	P15
3	5250-106	SEAL, PUMP PS	P55
4	3262-17	O-RING, BRACKET TO VOLUTE	P95
5	3262-02	BRACKET	P10
6	6916-0	SCREW, CAP, EACH	P35
7	3262-08	O-RING	P40
8	3262-18	MOTOR, 3/4 HP - THREADED SHAFT	P61
8A	REPLACE	NLA MOTOR NLA 5202X	P60
9	6931-0	NUT,S.S. (EACH)	
10	3262-16	STRIP, RUBBER	P80
11	3262-14	STAND, PUMP W/FEET	P70
12	3262-15	FEET, RUBBER	P75
13	6901-0	SCREW, HEX CAP	P65
14	6760-0	PLUG, PIPE POLY, 1/8"	P20
15	5050-04	EXTENSION, SHAFT, BRONZE	P45
16	5050-03	SET SCREW FOR SHAFT (EACH)	P56
17	3262-05	BOLT/NUT, STAINLESS, EACH	P25
19	3260-P135	HOSE,PUMP, FLEXIBLE - PER FT	P135
20	3260-P133	QUICK CONNECT, SOFTUBE - EACH	P133
21*	3260-P017	INSTALLATION KIT,PUMP-QK.CONN.	P17
23	3260-G016	ADAPTER 3/4"MPTx3/4"MHT -	G16
24	3250-D10	WASHER, HOSE 3/4"	-
25	3260-G133	HOSE BARB & CLAMP	G133
28	REPLACE	NLA HOSE REP W/3260-P018	G18
30	3250-B05	HOSE, SUCTION 3/4" x 2'	-
31	3260-0014	HEAVY DUTY PRESSURE HOSE 3'	P22

* INCLUDES 4' SECTION OF HOSE, AND FOUR (4) QUICK CONNECT FITTINGS (3260-P133)

HOSE PRIOR TO'94 WAS BLACK, AND HOSE AFTER '94 IS WHITE. EACH REQUIRES SPECIFIC END FITTINGS. BLACK HOSE REQUIRES KEY 25, AND WHITE HOSE REQUIRES AN



KEY	ITEM #	DESCRIPTION	MFG. #
A	3262-1	HALCYON BOOSTER PUMP - COMPLETE	PB4-60Q
1	3262-51	3/4 HP MOTOR - SEAL PLATE ASSY	P64
2	3262-54	O-RING, SEAL PLATE	P85
3	3262-53	SEAL, CERAMIC/SPRING	P84
4	3262-50	IMPELLER	P16
5	3262-52	VOLUTE (INCLUDES DRAIN PLUG WITH O-RING)	P82
6	3262-56	BAND CLAMP	P87
7	3262-57	1/2" - 20 UNF DRAIN PLUG WITH O-RING	P88
8	3262-55	PUMP STAND	P86
9	3262-58	1/4 - 20 X.75" BOLT WITH WASHER	P91
10	3260-P017	SOFTUBE HOSE, 6' WITH QUICK CONNECTS	P17
11	3260-P019	PUMP HOSE, 6', FLEXIBLE REINFORCED	P19
12	3260-P133	SOFTUBE QUICK CONNECT	P133