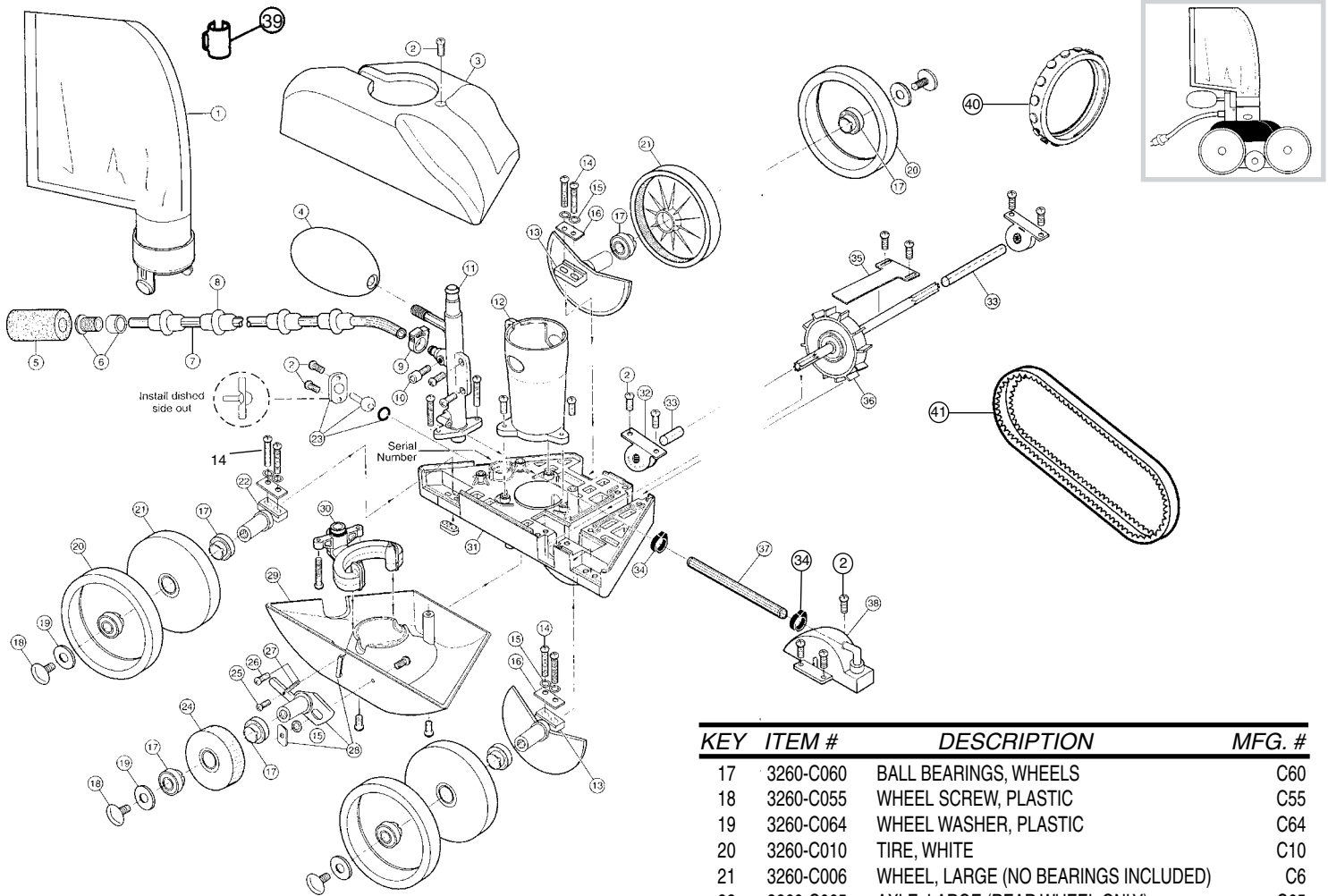


HEAD PARTS LISTING

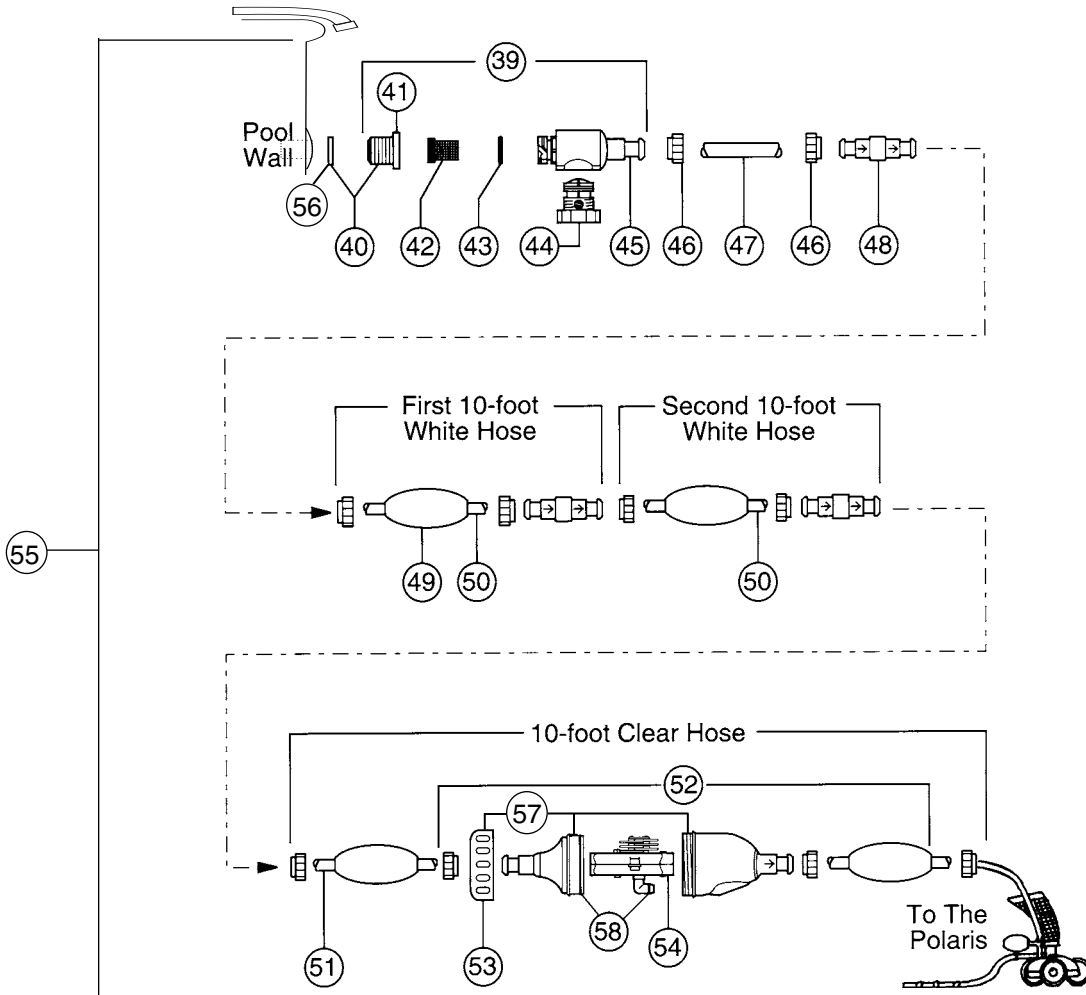


KEY	ITEM #	DESCRIPTION	MFG. #
1	3260-K013	ALL PURPOSE ZIPPERED BAG	K13
1	3260-K014	SAND/SILT BAG	K14
1	3260-K015	LEAF BAG	K15
1	3260-K016	GENERAL PURPOSE BAG	K16
1	3260-0019	DISPOSABLE FILTER BAG WITH COLLAR (PACK OF 3)	K12
1	3260-0020	DISPOSABLE FILTER BAG WITHOUT COLLAR (PACK OF 3)	K32
2	3260-C040	SCREW, 10-32 x 3/8" SS PAN HD	C40
3	3260-K005	TOP, BLUE	K5
4	3260-A020	FLOAT, HEAD	A20
5	3260-10	SWEEP HOSE SCRUBBER	9-100-3105
6	3260-B025	ORIFICE TIP W/ORIFICE TIP GUARD	B25
7	3260-B005	SWEEP HOSE COMPLETE	B5
8	3260-B010	WEAR RINGS	B10
9	3260-B015	SWEEP HOSE CLAMP	B15
10	3260-B020	ADJUSTMENT SCREW, SWEEP HOSE	B20
11	3260-K030	FEED PIPE WITH ELBOW	K30
12	3260-K020	VACUUM TUBE	K20
13	3260-C066	AXLE, LARGE (WITH SAND/GRAVEL GUARD)	C66
14	3260-C076	SCREW, 10-32 x 7/8" SS PAN HD	C76
15	3260-C045	LOCK WASHER FOR C-36	C45
16	3260-C070	AXLE PLATE FOR C-65/C-66	C70

KEY	ITEM #	DESCRIPTION	MFG. #
17	3260-C060	BALL BEARINGS, WHEELS	C60
18	3260-C055	WHEEL SCREW, PLASTIC	C55
19	3260-C064	WHEEL WASHER, PLASTIC	C64
20	3260-C010	TIRE, WHITE	C10
21	3260-C006	WHEEL, LARGE (NO BEARINGS INCLUDED)	C6
22	3260-C065	AXLE, LARGE (REAR WHEEL ONLY)	C65
22	3260-0026	AXLE BLOCK, TANK TRAX	K26
23	3260-C131	THRUST JET KIT	C131
24	3260-C016	IDLER WHEEL, WHITE	C16
24	3260-0027	IDLER WHEEL, TANK TRAX	K27
25	3260-C030	SCREW, 4-40 x 3/16" SS PAN HD	C30
26	3260-C032	SCREW, 6-32 x 1/2" SS PAN HD	C32
27	3260-C025	SPRING FOR C-36	C25
28	3260-C036	SWING AXLE KIT	C36
28	3260-0028	SWING AXLE KIT, TANK TRAX	K28
29	3260-K010	BASE, WHITE WITH BRACKET	K10
29	3260-0029	BASE TANK TRAX	K29
30	3260-K025	WATER MANAGEMENT SYSTEM	K25
31	EXCHANGE	EXCHANGE FRAME, CONTACT MFG	K145
32	3260-C080	BALL BEARINGS, TURBINE	C80
33	3260-C083	TURBINE SHAFT TUBES	C83
34	3263-88	HOSE CLAMP FOR WMS	9-100-7170
35	3260-A040	TURBINE SHAFT SHIELD	A40
36	3260-C086	DRIVE SHAFT ASSEMBLY	C86
37	3260-C120	HOSE FOR C-110, 7 1/2"	C120
38	3260-C110	TURBINE COVER WITH ELBOW	C110
39	3263-107	BAG COLLAR, BLACK	9-100-1018
40	3260-C013	TIRE POSITRAX	C13
41	3260-C018	TANK TRAX TIRE ONLY (FBG & TILE POOLS)	C18
*	3260-K035	O-RING KIT, FEED PIPE	K35
*	3260-B002	WEIGHT, SWEEP HOSE	B2
*	3260-0016	UPGRADE KIT, TANK TRAX	C22

* NOT SHOWN

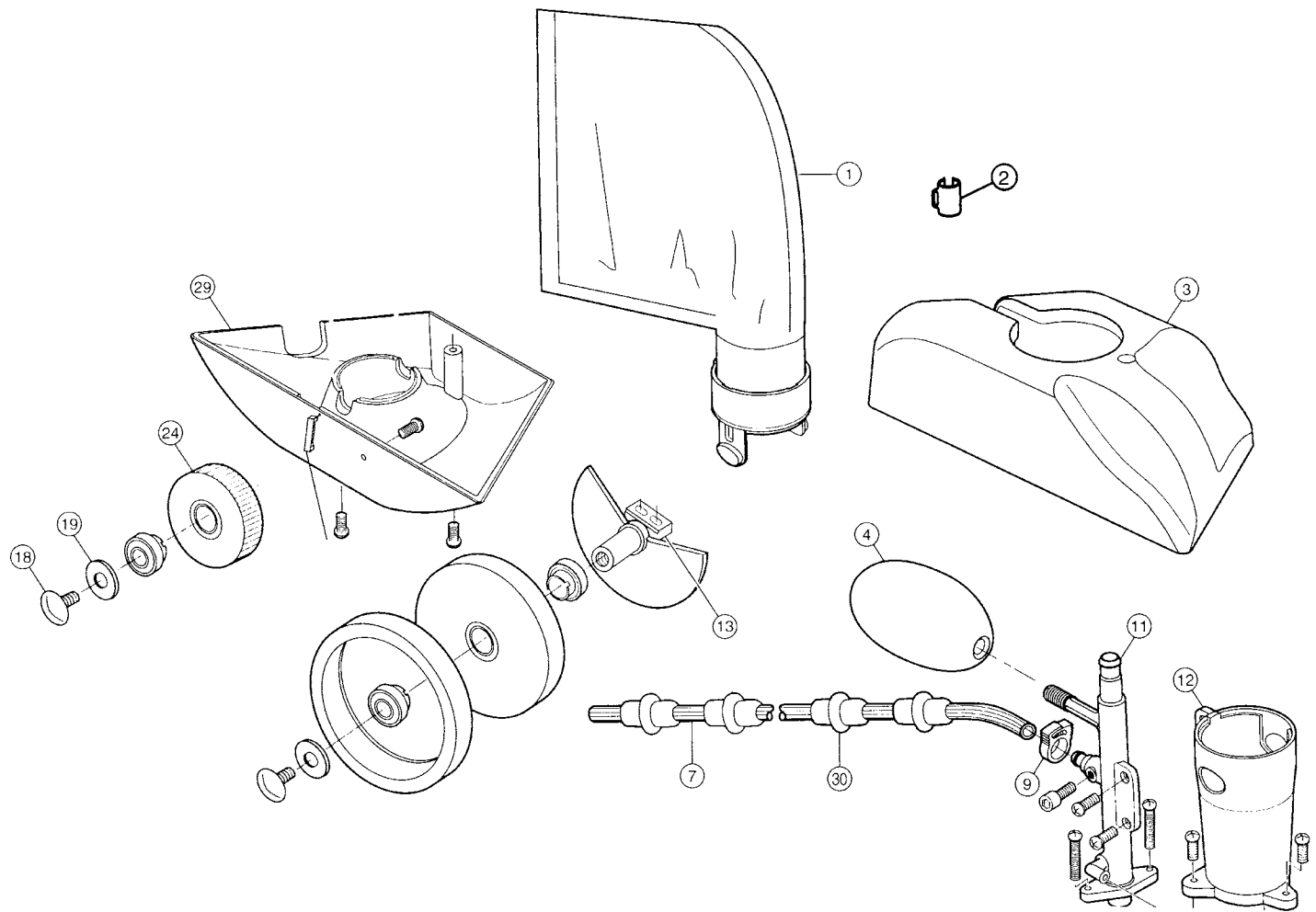
HOSE ASSEMBLY LISTING



KEY	ITEM #	DESCRIPTION	MFG. #
39	3263-81	CONNECTOR, UWF ASSY	9-100-9001
39	REPLACE	NLA CONNECTOR REP W/3263-81	D27
40	3260-22	UWF RESTRICTOR KIT	10-108-00
41	3260-01	UNIVERSAL WALL FITTING (UWF)	6-500-00
42	3260-03	FILTER SCREEN, UWF/QD	6-504-00
43	3260-04	O-RING, UWF/QD	6-505-00
44	3263-82	PRESSURE RELIEF VALVE BLACK	9-100-9002
44	REPLACE	NLA PRESSURE RELIEF VALVE REP W/ 3263-82	D28
45	3260-D029	QUICK DISCONNECT, UWF	D29
46	3260-D015	NUT, FEED HOSE	D15
47	3260-D001	ADAPTER HOSE, 8 1/2"	D1
48	3260-D020	SWIVEL, BALL BEARING	D20
49	3260-D010	FLOAT, FEED HOSE	D10
50	3260-D045	FEED HOSE, 10 FT, HARD - NO FLOATS	D45
50	3260-11	FEED HOSE WITH FLOATS	9-100-3104
51	3260-0011	LEADER HOSE, 10' - NO FLOATS	D50
51	3260-0015	LEADER HOSE WITH FLOATS	9-100-3108
52	3260-G052	BACK-UP VALVE KIT (REPLACES ORIGINAL G-41)	G52
53	3260-G057	COLLAR (RETAINING RING)	G57
54	3260-G053	MECHANISM FOR G-52	G53
55	3262-0	COMPLETE FEED HOSE WITHOUT BACK-UP VALVE	G5
56	3260-23	RESTRICTOR DISCS RED & BLUE	10-112-00
57	3260-G054	CASE KIT FOR G-52	G54
58	3260-G058	O-RING KIT	G58
*	3260-G059	DOUBLE ACTING BACK-UP VALVE	G59
*	3260-0012	MECHANISM ONLY, DOUBLE ACTING BACK-UP VALVE	G65
*	3260-G056	BOOSTER VALVE SEAT	G56

* NOT SHOWN

HEAD PARTS SPECIFIC TO THE BLACK MAX

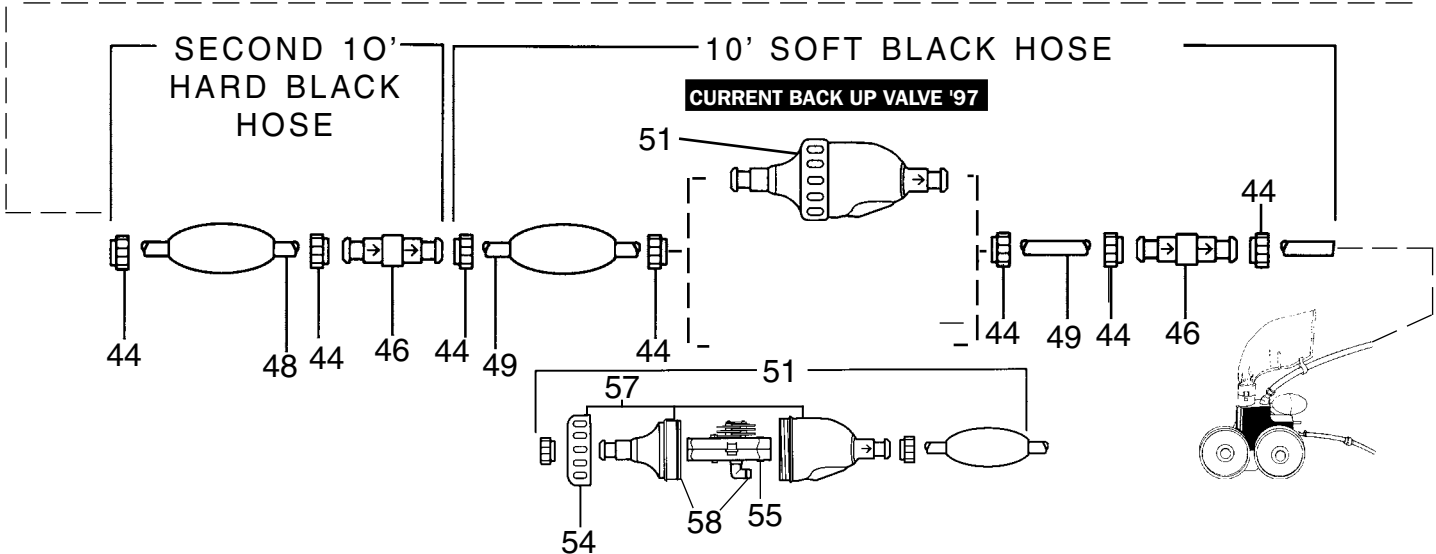
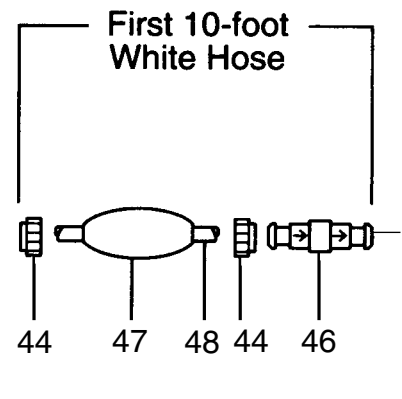
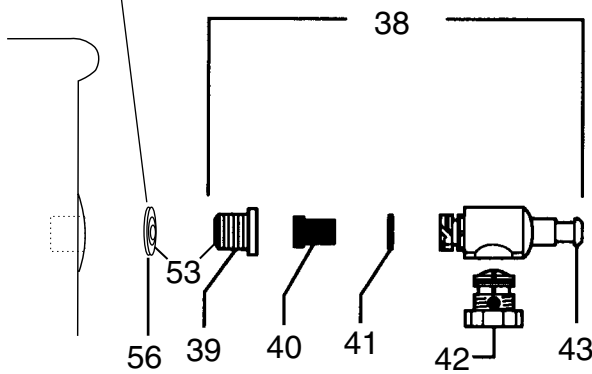
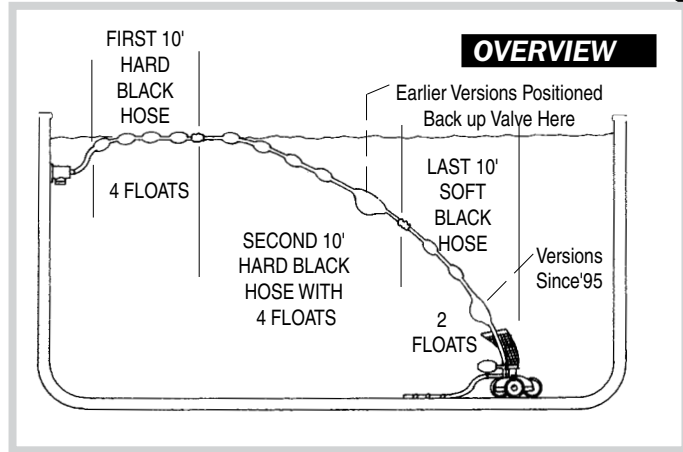
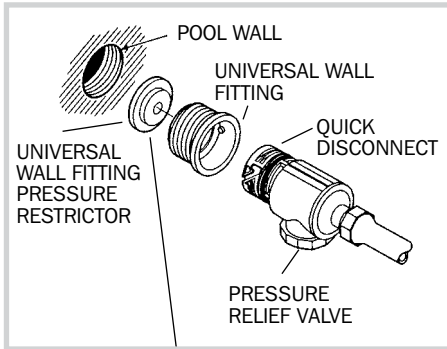


KEY	ITEM #	DESCRIPTION	MFG. #	
	1	3260-K013	ALL PURPOSE ZIPPERED BAG	K13
	1	3260-K017	ALL PURPOSE BAG, BLACK	K17
	2	3263-107	BAG COLLAR, BLACK	9-100-1019
	3	3260-K006	TOP, BLACK	K6
	4	3260-A021	HEAD FLOAT, BLACK	A21
	7	3260-B006	SWEEP HOSE COMPLETE, BLACK	B6
	9	3260-B016	SWEEP HOSE CLAMP, BLACK	B16
	11	3260-K031	FEED PIPE, BLACK	K31
	12	3260-K021	VACUUM TUBE, BLACK	K21
	13	3260-C068	AXLE W/ GUARD, BLACK	C68
	18	3260-C056	WHEEL SCREW, BLACK	C56
	19	3260-C067	WHEEL WASHER, BLACK	C67
	20	3260-C011	TIRE, BLACK	C11
	20	3260-C014	TIRE, POSITRAX, BLACK F/ FIBERGLASS & TILE POOLS	C14
	21	3260-C007	WHEEL, BLACK	C7
	24	3260-C017	IDLER WHEEL, BLACK	C17
	29	3260-K011	BOTTOM, BLACK	K11
	30	3263-139	WEAR RING, BLACK	B11
	*	3260-0008	WEIGHT, SWEEP HOSE, BLACK	B3
	*	3260-C019	TANK TRAX TIRE ONLY, BLACK	C19
	*	3260-K048	REBUILD KIT	K48

* NOT SHOWN

FOR OTHER 280 HEAD PARTS SEE PAGE B-88

HOSE ASSEMBLY

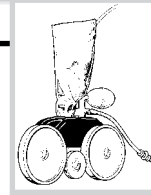


KEY ITEM #	DESCRIPTION	MFG. #
38	3263-124 BLACK UWF CONNECTOR	9-100-9005
39	3260-01B BLACK UNIVERSAL WALL FITTING	6-550-00
40	3260-03 SCREEN, FILTER UWF	6-504-00
41	3260-04 O-RING	6-505-00
42	3263-821 VALVE, PRESSURE RELIEF (BLACK)	9-100-9006
43	3260-D030 BLACK DISCONNECT	D30
44	3260-D016 BLACK FEED HOSE NUT	D16
46	3260-D021 BLACK SWIVEL	D21
47	3260-D011 BLACK FEED HOSE FLOAT	D11
48	3260-D047 HARD BLACK 10' HOSE	D47
49	3260-D052 SOFT BLACK HOSE	D52
51	3260-G062 BLACK BACK UP VALVE	G62
53	3260-22 RESTRICTOR KIT	10-108-00

KEY ITEM #	DESCRIPTION	MFG. #
54	3260-G067 COLLAR (RETAINING RING) BLACK	G67
55	3260-G053 MECHANISM	G53
56	3260-23 RESTRICTOR DISCS RED & BLUE	10-112-00
57	3260-G064 BLACK CASE KIT FOR BACK UP VALVE	G64
58	3260-G058 O-RING KIT	G58
*	3263-118 LEADER HOSE W/ FLOATS, BLACK	9-100-3107
*	3260-G060 DOUBLE ACTING BACK-UP VALVE, BLACK	G60
*	3260-0012 MECHANISM ONLY DOUBLE ACTING BACK-UP VALVE	G65
*	3260-G006 COMPLETE BLACK FEED HOSE INCLUDES WALL FITTINGS DOES NOT INCLUDE BACK UP VALVE	G6

* NOT SHOWN

HEAD LISTINGS



KEY	ITEM #	DESCRIPTION	MFG. #
1	3260-A015	BAG, LEAF	A15
1	3260-A016	BAG, SAND & SILT	A16
1	3260-G045	BAGS,SAND SILT-DISPOSABLE PKG4	G45
2	3260-C040	SCREW, BODY	C40
3	3260-A005	TOP-BLUE	A5
4	3260-A020	FLOAT, HEAD	A20
5	3260-10	SCRUBBER, SWEEP TAIL	9-100-3105
6	3260-B025	ORIFICE TIP WITH GUARD	B25
7	3260-B005	HOSE, SWEEP- COMPLETE	B5
8	3260-B010	RING, WEAR	B10
9	3260-B015	CLAMP, SWEEP HOSE	B15
10	3260-B020	SCREW, ADJUSTMENT	B20
11	3260-C066	AXLE,LRG W/WASHERS &SAND GUARD	C66
12	3260-C075	BOLT & NUT - EACH	C75
13	3260-C045	WASHER, LOCK TOOTH	C45
14	3260-C070	AXLE PLATE	C70
15	3260-C060	BEARING, WHEEL - EACH	C60
16	3260-C006	WHEEL, LARGE	C6
17	3260-C010	TIRE, WHITE	C10
17	3260-C012	TIRE, KRAYTON (VINYL/FIBERGLASS)	C12
17	3260-C013	TIRE, POSITRAX (TILE/FIBERGLASS)	C13
18	3260-C064	WASHER, WHEEL PLASTIC	C64
19	3260-C055	SCREW, WHEEL	C55
20	3260-C065	AXLE, LARGE REAR WHEEL ONLY	C65
21	3260-C131	THRUST JET REPAIR KIT	C131
22	3260-C016	WHEEL, SMALL	C16
23	3260-C030	SCREW, AXLE	C30
24	3260-C032	SCREW, SPRING TO BODY	C32

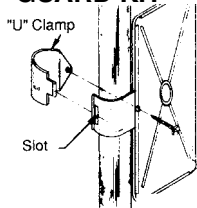
KEY	ITEM #	DESCRIPTION	MFG. #
25	3260-C025	SPRING	C25
26	3260-C036	AXLE, SWING KIT	C36
27	3260-A010	BOTTOM, WHITE	A10
28	EXCHANGE	FRAME CONTACT MFG	C145
29	3260-C080	BEARING, TURBINE - EACH	C80
30	3260-C083	TURBINE SHAFT TUBES	C83
31	3260-C086	DRIVE SHAFT, TURBINE	C86
32	3260-A040	SHEILD, TURBINE SHAFT	A40
33	3260-A030	SCREW, SELF TAPPING	A30
34	6658-0	CLAMP, STAINLESS STEEL	-
34	3263-88	HOSE CLAMP	9-100-7170
35	3260-C120	HOSE, FOR C-110	C120
36	3260-C115	ELBOW, FOR TURBINE COVER	C115
37	3260-C110	COVER, TURBINE WITH ELBOW	C110
38	3260-C130	JET, THRUST (LTD QTY)	C130
39	3260-C135	PLATE, JET (LTD QTY)	C135
40	3260-C140	O-RING	C140
50	OBSOLETE	OBSOLETE DISCONNECT	LA46
51	3260-A045	FLOAT ARM REPAIR KIT	A-45
52	OBSOLETE	OBSOLETE DISCONNECT	LA47
54	3260-A042	REPAIR KIT, SWEEP TAIL CONNECTION	A42
*	3260-B002	WEIGHT, SWEEPHOSE	B2

* NOT SHOWN

POLARIS 180/280 - KITS

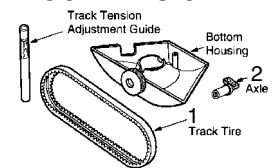
LADDER/RAIL, TUNE UP and REBUILD KITS

A LADDER/RAIL GUARD KIT



KEY	ITEM #	DESCRIPTION	MFG. #
A	3260-G021	LADDER GUARD, SET OF 2	G21
B	3260-A047	KIT, REBUILD POLARIS 180	A47
C	3260-A049	KIT, TUNE-UP POLARIS 180/280	A49
D	3260-A048	KIT, REBUILD POLARIS 280	A48
E	3260-0009	KIT, TRACK TIRE CONVERSION 180/280	C15
1	3260-0010	TRACK TIRE ONLY	C18
2	3260-C065	AXLE ONLY	C65

E 180/280 TRACK TIRE CONVERSION KIT



B 180 FACTORY REBUILD KIT

Qty	Mfg#	Description	Qty	Mfg#	Description
1	A5	Top, White	1	C36	Swing Axle Kit
1	A10	Bottom, White	4	C55	Wheel Screw Plastic
1	A16	Sand/Silt Bag	8	C60	Ball Bearings, Wheels
1	A20	Float, Head	1	C63	Axle, Shim
1	B5	Sweep Hose Comp.	1	C65	Axle, Large (Rear Wheel)
1	B15	Sweep Hose Clamp	2	C66	Axle, Large w/Sand Guard
3	C6	Wheel, Large	2	C80	Ball Bearings, Turbine
3	C10	Tire, White	1	C86	Drive Shaft, Assembled
1	C16	Wheel, Small White			

C 180/280 TUNE UP KIT

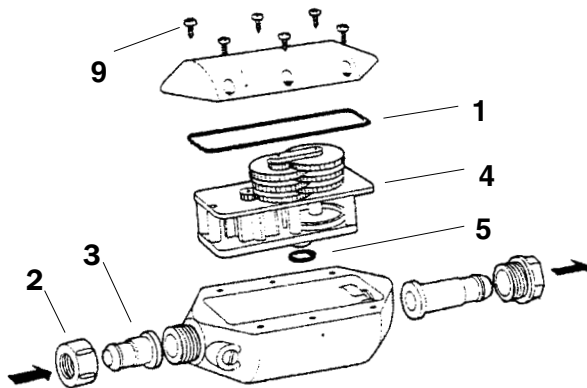
Qty	Mfg#	Description
3	C6	Wheel, Large
3	C10	Tire, White
1	C16	Wheel, Small White
1	C36	Swing Axle Kit
4	C55	Wheel Screw, Plastic
8	C60	Ball Bearings, Wheels
1	C63	Axle, Shim
1	C65	Axle, Large (Rear Wheel)
2	C66	Axle, Large w/ Sand Guard
2	C80	Ball Bearings, Turbine
1	C86	Drive Shaft, Assembled

D 280 REBUILD KIT

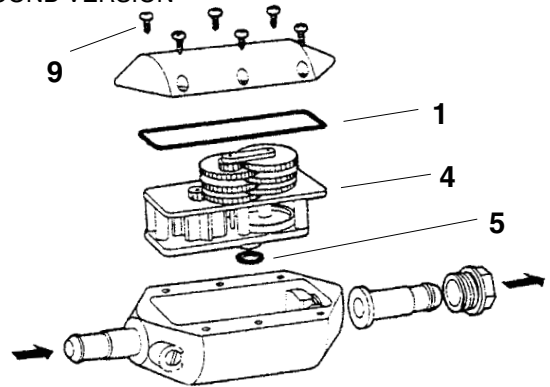
Qty	Mfg#	Description
1	K16	All Purpose Bag
1	K5	Top
1	A20	Float, Head
1	B5	Sweep Hose, Complete
1	B15	Sweep Hose Attach Clamp, White
2	C66	Axle, Large (w/ Sand/Gravel Guard)
8	C60	Ball Bearings, Wheels
4	C55	Wheel Screw, Plastic
4	C64	Wheel Washer, Plastic
3	C10	Tire, Max Trax
3	C6	Wheel Large (No Bearings Incl.)
1	C65	Axle, Large (Rear Wheel Only)
1	C131	Thrust Jet Kit
1	C16	Idler Wheel, Small
1	C36	Swing Axle Kit
1	K10	Base with Bracket
2	C80	Ball Bearings, Turbine
1	C83	Turbine Shaft Tubes
1	C86	Drive Shaft Assembly

FOR 180, 280, and 380 MODELS

ORIGINAL VERSION

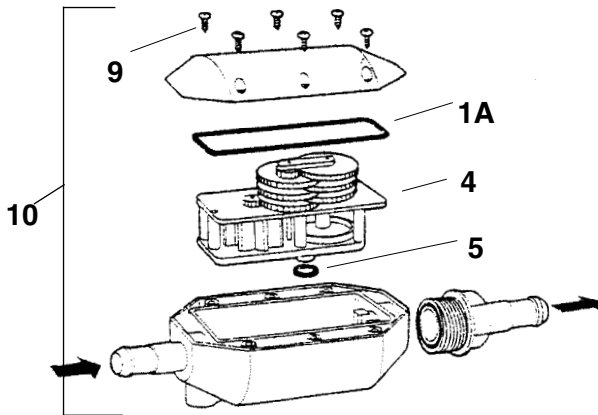


SECOND VERSION



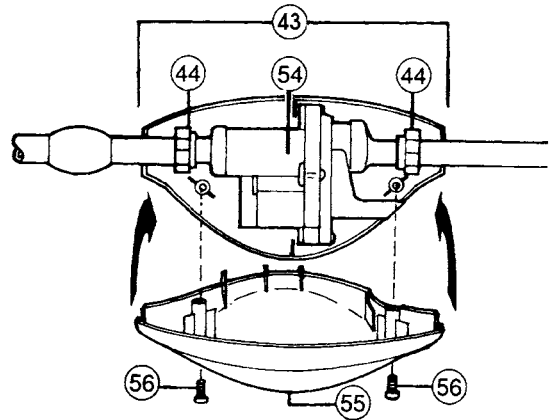
IF COVER OR BODY NEED REPLACING - REPLACE WITH COMPLETE CURRENT VERSION OPT# 3260-G052

VERSION TIL '91 - Still used as a current alternative

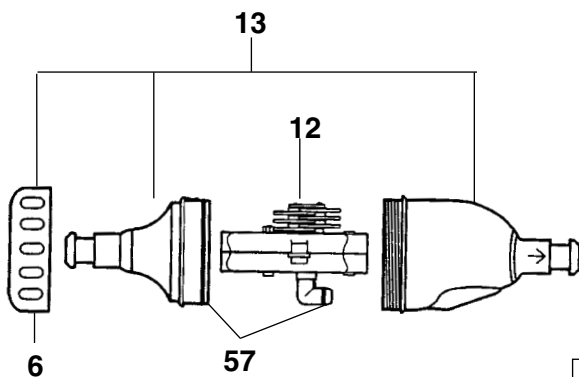


14

VERSION '91 - '96



CURRENT VERSION - SINCE '97



15

KEY	ITEM #	DESCRIPTION	MFG.
	6	3260-G057 COLLAR (RETAINING RING)	G57
	9	3270-1325 SCREW, 8 x 5/8"	E35
	10	REPLACE NLA CASE REP/W 3260-G052	E40
	12	3260-G053 MECHANISM, FOR G-52 B/U VALVE	G53
	13	3260-G054 CASING, FOR G-52 B/U VALVE	G54
	14	REPLACE NLA BACKUP VALVE REP W/ 3260-G052	G40
	15	3260-G052 BACKUP VALVE CURRENT - COMPLETE	G52
	43	REPLACE NLA VALVE REP W/3260-G052	G41
	44	3260-D015 NUT, FEED HOSE	D15
	54	3260-E060 MECHANISM ASSEMBLY	E60
	55	REPLACE NLA CASE REP/W 3260-G052	E65
	56	3263-52 SCREW (EACH)	9-100-5117
	57	3260-G058 O-RING KIT	G58
*	3260-G056	BOOSTER VALVE SEAT FOR G52 & G62	G56
*	3260-G059	DOUBLE ACTING BACK-UP VALVE	G59
*	3260-G060	DOUBLE ACTING BACK-UP VALVE, BLACK	G60
*	3260-0012	MECHANISM ONLY, DOUBLE ACTING BACK-UP VALVE FOR G59 & G60	G65

KEY	ITEM #	DESCRIPTION	MFG.
-----	--------	-------------	------

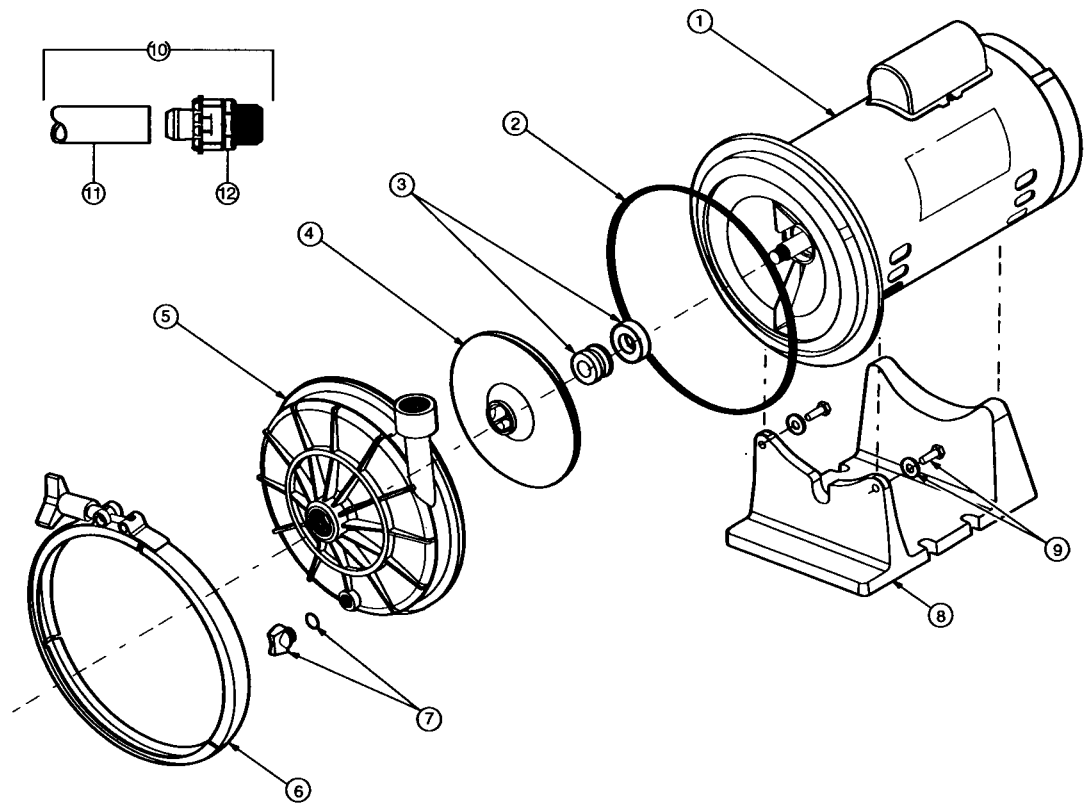
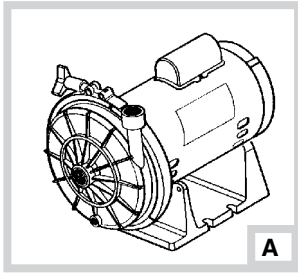
STANDARD WHITE VALVES

1	6652-05	O-RING	E30
1A	3270-2300	O-RING	E31
2	3260-E005	NUT, BACK-UP VALVE (LTD. QTY.)	E5
3	3260-E010	FITTING, INLET - BACK-UP VALVE	E10
4	OBSOLETE	OBSOLETE GEAR ASSY	E25
5	3262-08	O-RING	P40

BLACKMAX VALVE

6	3260-G067	COLLAR (RETAINING RING), BLACK	G67
12	3260-G053	MECHANISM	G53
13	3260-G064	CASE, BLACK	G64
15	3260-G062	BACK-UP VALVE COMPLETE, BLACK	G62

* NOT SHOWN



KEY	ITEM #	DESCRIPTION	MFG. #
A	3262-1	HALCYON BOOSTER PUMP - COMPLETE	PB4-60Q
1	3262-51	3/4 HP MOTOR - SEAL PLATE ASSY	P64
2	3262-54	O-RING, SEAL PLATE	P85
3	3262-53	SEAL, CERAMIC/SPRING	P84
4	3262-50	IMPELLER	P16
5	3262-52	VOLUTE (INCLUDES DRAIN PLUG WITH O-RING)	P82
6	3262-56	BAND CLAMP	P87
7	3262-57	1/2" - 20 UNF DRAIN PLUG WITH O-RING	P88
8	3262-55	PUMP STAND	P86
9	3262-58	1/4 - 20 X.75" BOLT WITH WASHER	P91
10	3260-P017	SOFTUBE HOSE, 6' WITH QUICK CONNECTS	P17
11	3260-P019	PUMP HOSE, 6', FLEXIBLE REINFORCED	P19
12	3260-P133	SOFTUBE QUICK CONNECT	P133